



- Article MEDINOP® Aprons
- Specification No. 41 00 00
- Article No. **41 75 11, 41 75 13, 41 75 15 and 41 75 17, non-sterile goods**
1. Description Aprons made of **Mediwell 2-ply** turquoise.
2. Application Apron
3. Production The above mentioned product is manufactured in hygienic conditions
4. Material composition ***all of the materials used are latex-free!***
- 4.1 Material MW 2-ply
- Tissue 100 % virgin cellulose, white, oxygen bleached
  - Film PE film, turquoise / transparent
  - Lamination glued lamination
5. Product properties very absorbent, impermeable to fluids and bacteria
6. Technical data
- 6.1 Dimensions

<b>Article No.</b>	<b>Length [cm]</b>	<b>Width [cm]</b>
<b>41 75 11</b>	110 ± 2	75 ± 1
<b>41 75 13</b>	130 ± 2	75 ± 1
<b>41 75 15</b>	150 ± 2	75 ± 1
<b>41 75 17</b>	170 ± 2	75 ± 1

6.2 Raw material

- Film
- Basis weight 15 g/m<sup>2</sup> ± 10 %
- Thickness 16 µm ± 10 %
- Tissue
- Basis weight 22 g/m<sup>2</sup> ± 15 %
- Absorption Ø 180 ml/m<sup>2</sup>

Quality Assurance:

Date: 08.06.2022

Signature: *Bocan!*



Article MEDINOP® Aprons

Specification No. 41 00 00

### 6.3 Physical material properties

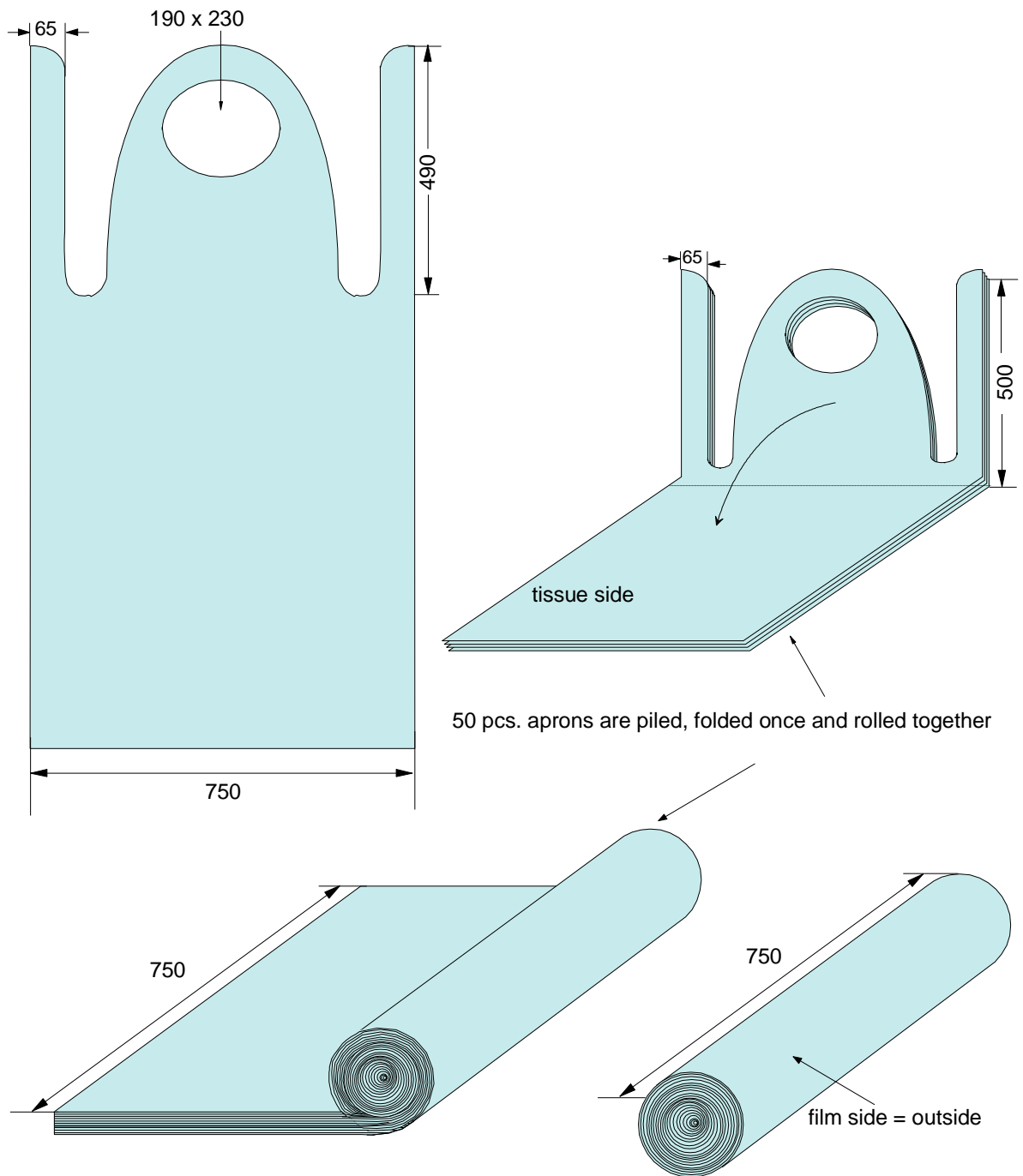
- *Stretch in accordance with DIN EN ISO 527-3*
  - MD  $\varnothing > 250 \%$
  - CD  $\varnothing > 420 \%$
- *Tensile strength in accordance with DIN EN ISO 527-3*
  - MD  $\varnothing > 10 \text{ N/15 mm}$
  - CD  $\varnothing > 6.0 \text{ N/15 mm}$
- *Puncture resistance*  $\varnothing > 20 \text{ N}$



Article MEDINOP® Aprons

Specification No. 41 00 00

## 7. Schematic diagram



all dimensions in mm



Article MEDINOP® Aprons

Specification No. 41 00 00

## 8. Packaging

<b>Article No.</b>	<b>Transport carton [mm]</b>	<b>Carton grade</b>	<b>Contents</b>
<b>41 75 11</b>	780 x 460 x 210 ± 10	2.30 EB	400 pcs.
<b>41 75 13</b>	780 x 460 x 210 ± 10	2.30 EB	300 pcs.
<b>41 75 15</b>	780 x 460 x 210 ± 10	2.30 EB	300 pcs.
<b>41 75 17</b>	780 x 460 x 210 ± 10	2.30 EB	250 pcs.

9. Usability and storage 6 years, no direct exposure to sunshine, store at a dry place.

10. Disposal The raw material can be disposed of in an environmentally friendly manner. No toxic gases are released during incineration. The ground water is not contaminated by toxic substances when dumped.

The raw materials used in manufacture are physiologically harmless.

This product specification is the property of SENGEWALD Klinikprodukte GmbH and is to be treated with the strictest confidence. Communication to third parties and duplication, in whole or in part, are not permitted.